

# Super Trident sewage treatment plant

## Small STC-13 series

### PRODUCT LEAFLET



Wärtsilä is the world's leading manufacturer of marine sewage treatment systems. For over four decades the Wärtsilä Super Trident sewage treatment plant has been widely regarded as standard specification on all types of vessels. The Wärtsilä Super Trident plant is certified to meet the new IMO MEPC 227(64) effluent quality standards, which introduced a dilution compensation factor.



The Wärtsilä Super Trident sewage treatment plant is a cost-effective and safe answer to disposal of waste at sea, maintaining the quality of the world's oceans and complying with regulations for operational peace of mind.

The small STC-13 sewage treatment plants are fully compatible with gravity and vacuum collection systems and uses the activated sludge system, which accelerates natural biological processes. Chemical chlorination and dechlorination are employed to produce a clean, safe, effluent suitable for discharging overboard.

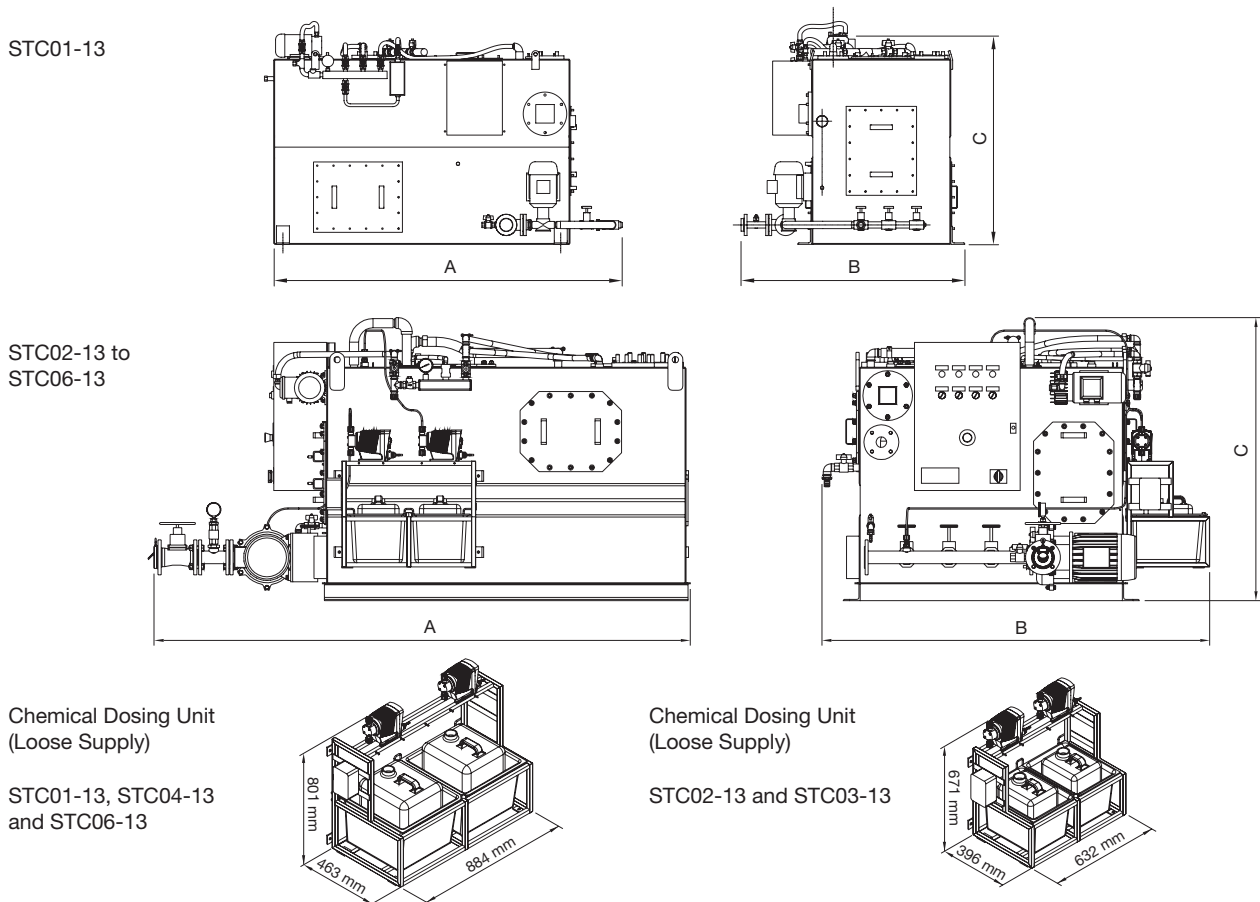
#### STANDARD FEATURES

- IMO & MED certified
- Single power supply input point
- Minimal maintenance requirement
- Solids handling centrifugal discharge pump
- Chemical disinfection and dechlorination
- Automatic control
- Compact design

#### OPTIONAL FEATURES

- Fitted vacuum sewage collection equipment
- Conditioning water flow meter
- Standby compressor (mounted)
- Standby discharge pump (mounted)
- Maceration
- Separate sewage feed system
- Retrofit options available to aid installation

Fig.1 Detailed elevation drawings



**WEIGHTS & DIMENSIONS**

Model No.	IMO Certified* (litres/day)	Dimensions** (mm)			Weight Full** (kg)
		A	B	C	
STC01-13	1740	1890	1400	1181	1550
STC02-13	3120	2518	1863	1336	3030
STC03-13	4660	2622	1863	1681	3959
STC04-13	6010	2722	2080	1821	5027
STC06-13	9360	3072	2280	1971	7367

\*IMO certificate issued by Lloyd's Register \*\*Weights and dimensions based on one pump and one compressor variant

**DETAILED SPECIFICATION**

**MAIN TANK**

The main tank consists of integral aeration, settling, and disinfecting compartments and is coated with a heavy application of a proven finish, internally, and with a rust resistant primer and gloss finish externally. All air pipework and tank connections are supplied as standard.

**AIR COMPRESSOR**

One or more rotary air compressors (duty/stand-by) can be supplied, to provide air to the aerators.

**DISCHARGE PUMP**

One or more discharge pumps (duty/stand-by) can be supplied. These are also suitable for routine desludging.

**ELECTRICAL CONTROL PANEL**

The electrical controls are housed in a steel enclosure to IP55 standards. The door of the control cabinet is fitted with a triple pole interlocked isolator. A volt free contact is provided for connection to the ship's main control panel or to any indicators or alarms.

**CHLORINATION AND DECHLORINATION**

Separate dosing systems for chlorination and dechlorination each include a solenoid-diaphragm dosing pump and a chemical container, all mounted, piped and wired to sewage treatment plant.