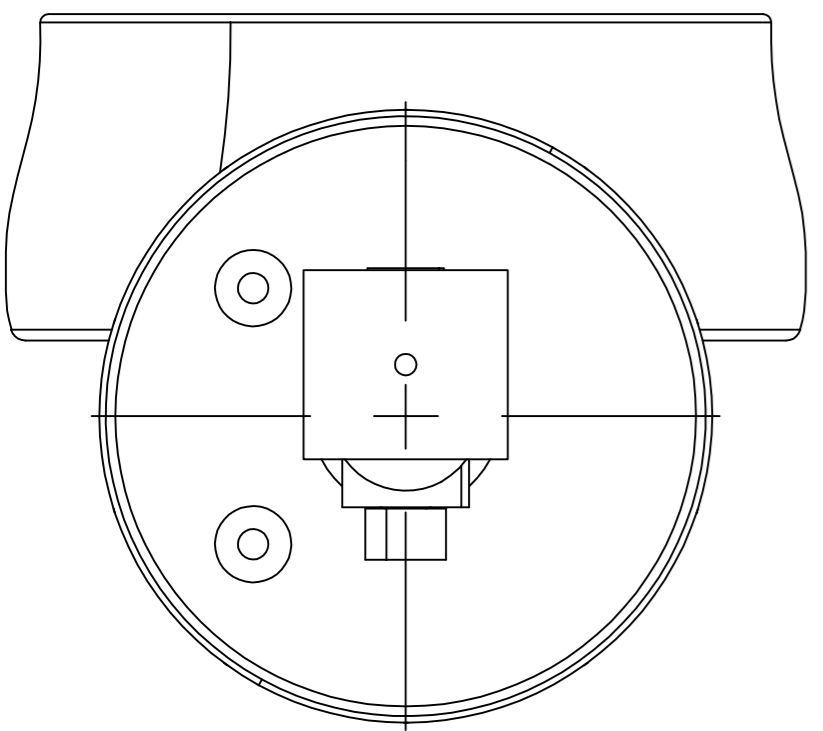


Approximate weight for FS version 23100 kg  
 Approximate weight for CS version 24700 kg



Design/Rev	W-30	Scale	1:35
Date		Standard	
Appr.		Head app.	
Rev.		Rev.	
Weight kg.		Weight kg.	

**WARTSILA**  
 FS/CS 3000 THRUSTER OUTLINE  
 WITH HR NOZZLE  
 PROPELLER DIAMETER 3000 mm  
 Rev. No. DAAK006614  
 Scale: 1:35  
 Date: 17/1

This drawing is the property of Wartsila Propulsion Norway AS, and shall neither be copied, shown nor communicated to a third party without approval of the owner.