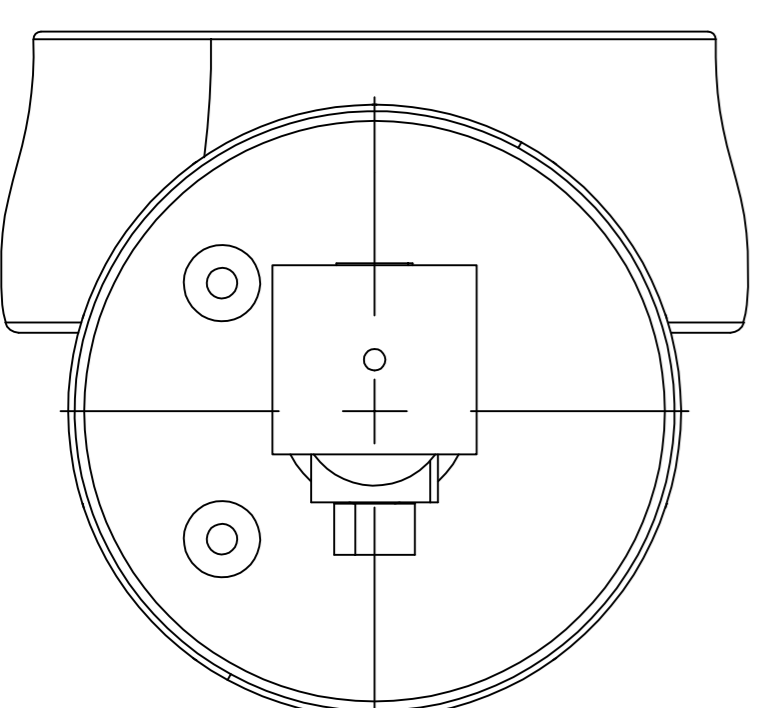


Ø2800 (Propeller diameter)



Approximate weight for FS version 23100 kg.  
Approximate weight for CS version 24700 kg.

Project/Rev	W-92	Scale	1:35
Date		Standard	-
Appr.		Head appr.	-
Rev.		Weight kg.	-



FS/CS 275 THRUSTER OUTLINE  
WITH HR NOZZLE  
PROPELLER DIAMETER 2800 mm  
Rev. No. DAK0006610