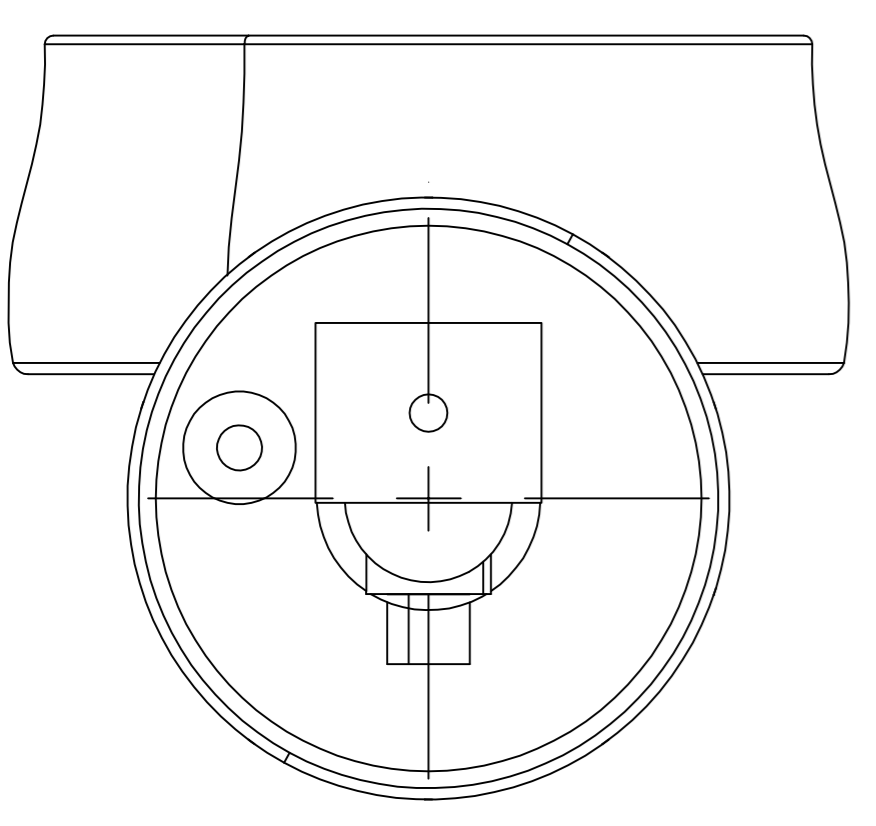


$\varnothing 1800$ (Propeller diameter)

Approximate weight for FS version 9000 kg.
Approximate weight for CS version 9500 kg.



Project/Rev	W-32	Scale	1:20
Date		Sheet	-
Appr.		Rev. No.	-
FS/CS 175 THRUSTER/NOZZLE WITH HR NOZZLE PROPELLER DIAMETER 1800 mm			
DWG. NO. DAK006598			
Scale: A1 1/1			

This drawing is the property of Wartsila Propulsion Norway AS, and shall neither be copied, shown nor communicated to a third party without approval of the owner.