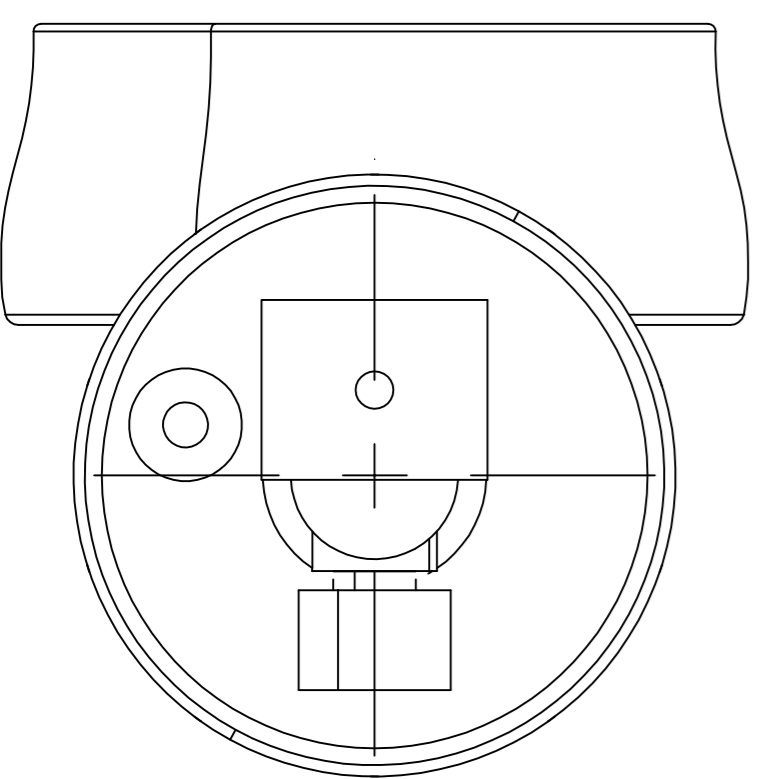


$\varnothing 1600$  (Propeller diameter)



Approximate weight for FS version 9000 kg.  
Approximate weight for CS version 9500 kg.

Design/Rev	W-32	Scale	1:20
Date		Standard	-
Appr.		Drawn by	
		Weight kg.	



FS/CS 175 THRUSTER OUTLINE  
WITH HR NOZZLE WITH CLUTCH  
PROPELLER DIAMETER 1600 mm  
Rev. No. DAAK006597