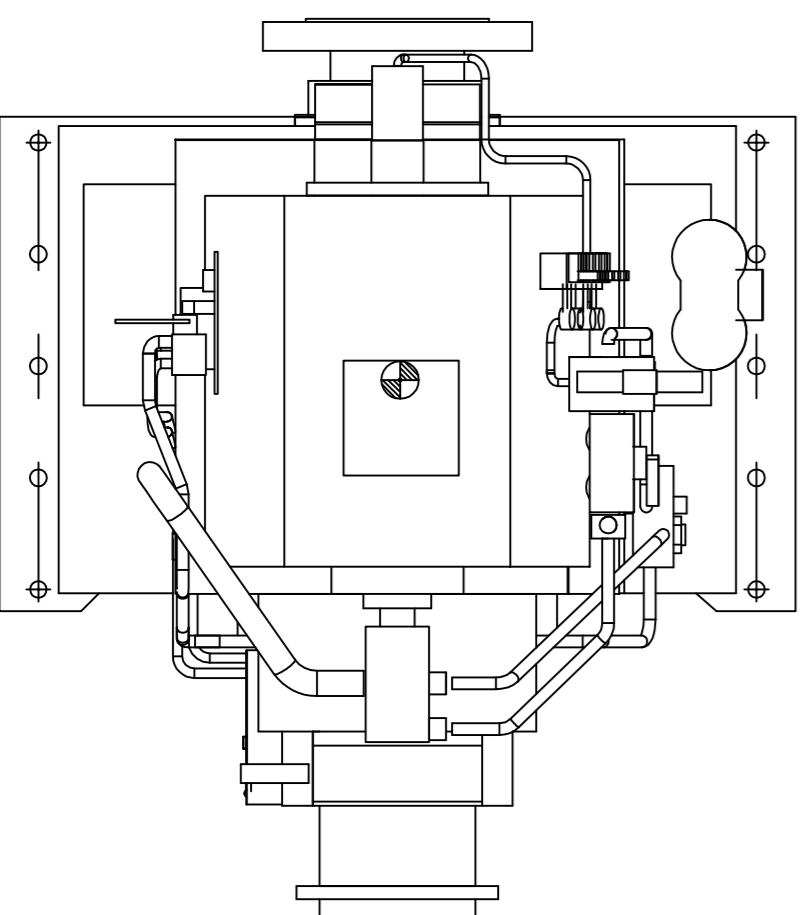
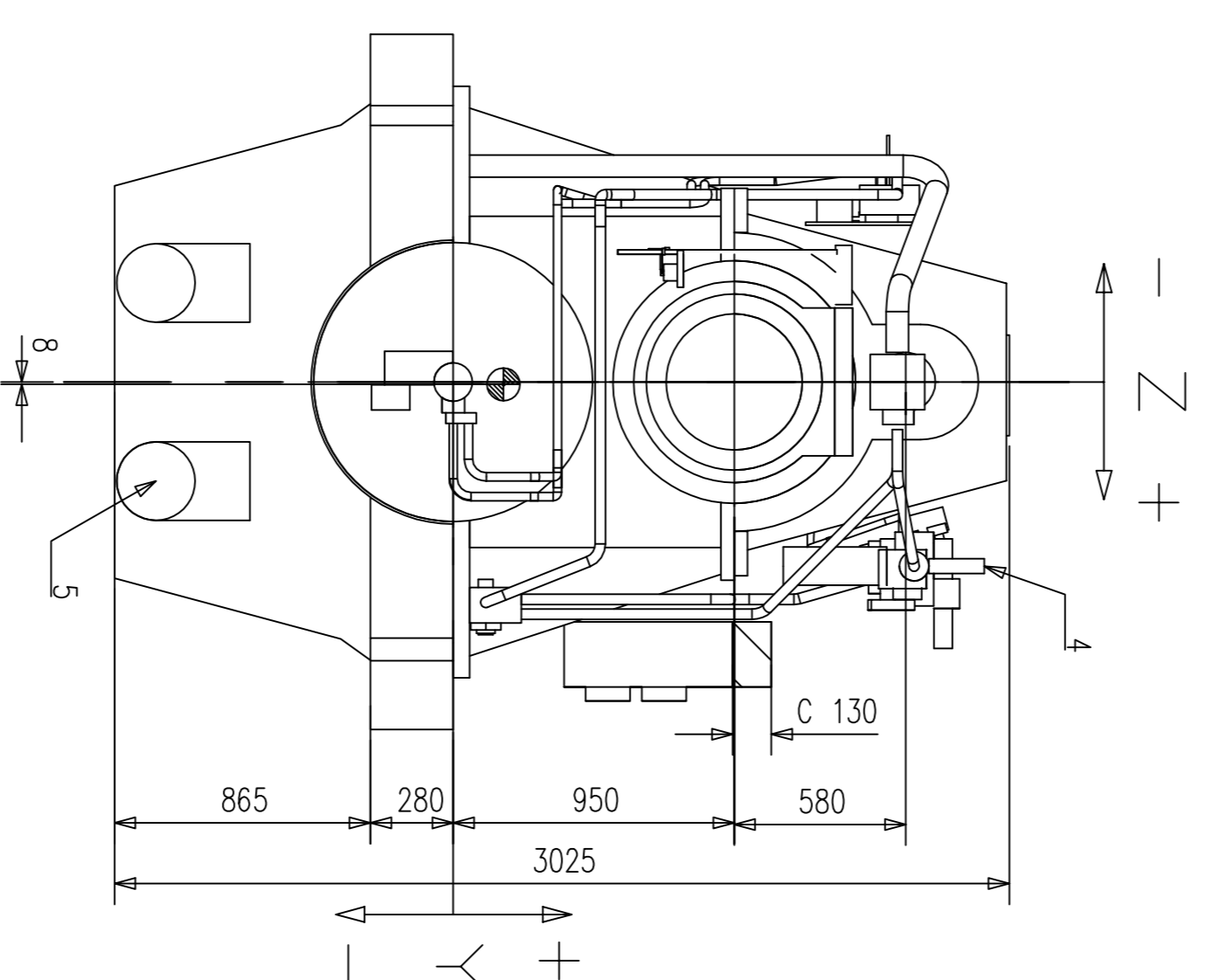
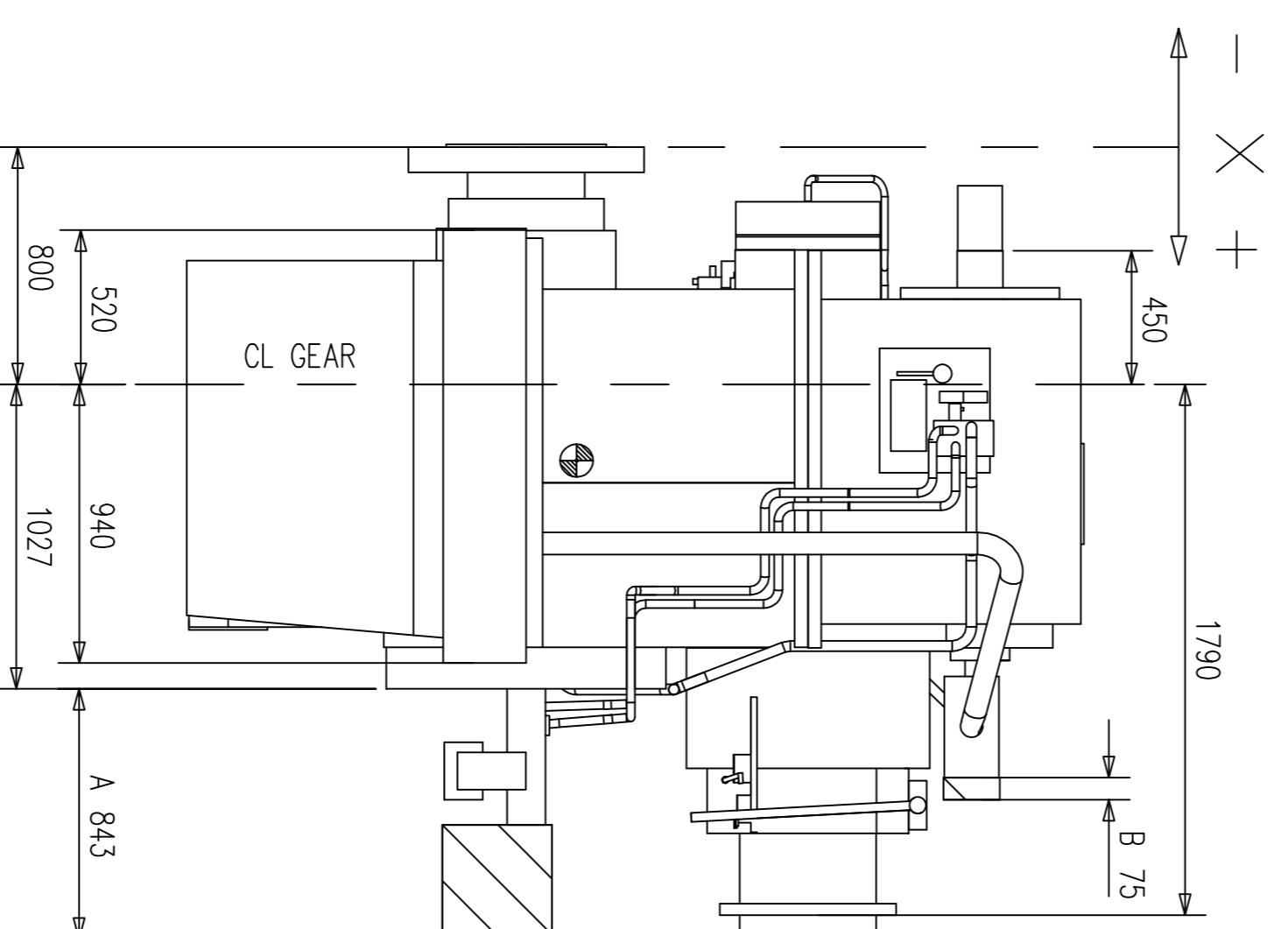


☉ CENTER OF GRAVITY
 DRY WEIGHT – APPX. 20800 kg

| | |
|------|---------------------------------------|
| 5 | Suction stand by oil pump |
| 4 | From stand-by oil pump, high pressure |
| 3 | From stand-by oil pump, low pressure |
| 2 | Lube oil from cooler |
| 1 | Lube oil to cooler |
| Pos. | Description |

- A. Service space for OD box
- B. Service space for Gear pump
- C. Service space for LP filter
- D. Service space for gear cover top



| | | | |
|------------|-----------|------------|----------|
| Design/Rev | Provision | Scale | Material |
| Date | 1:20 | Source | |
| Appr. | Mod. app. | Weight kg. | |



SCV95-PDW58 GEARBOX
 OUTLINE AND SERVICE
 SPACE
 DAAL000629

Scale: A1 1/1