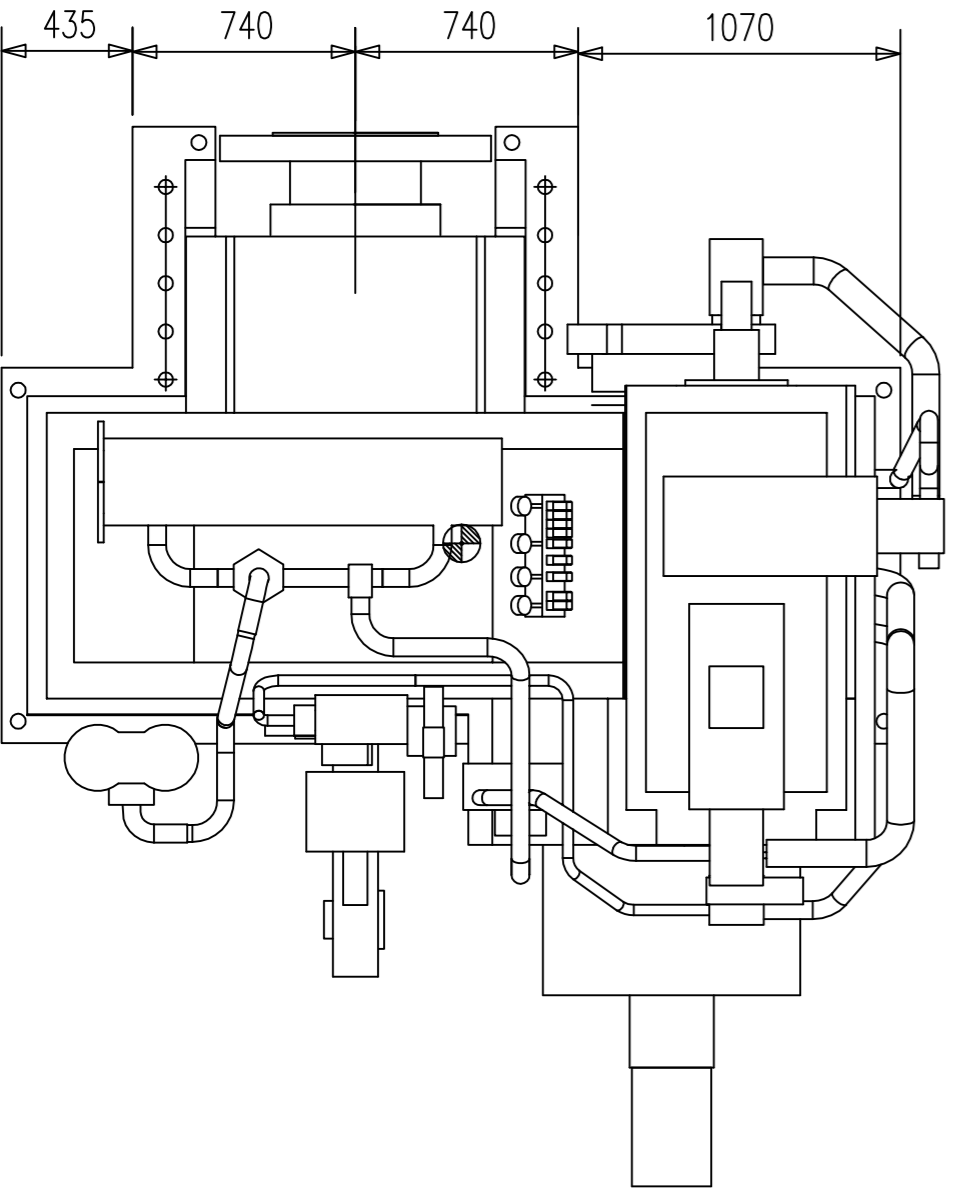
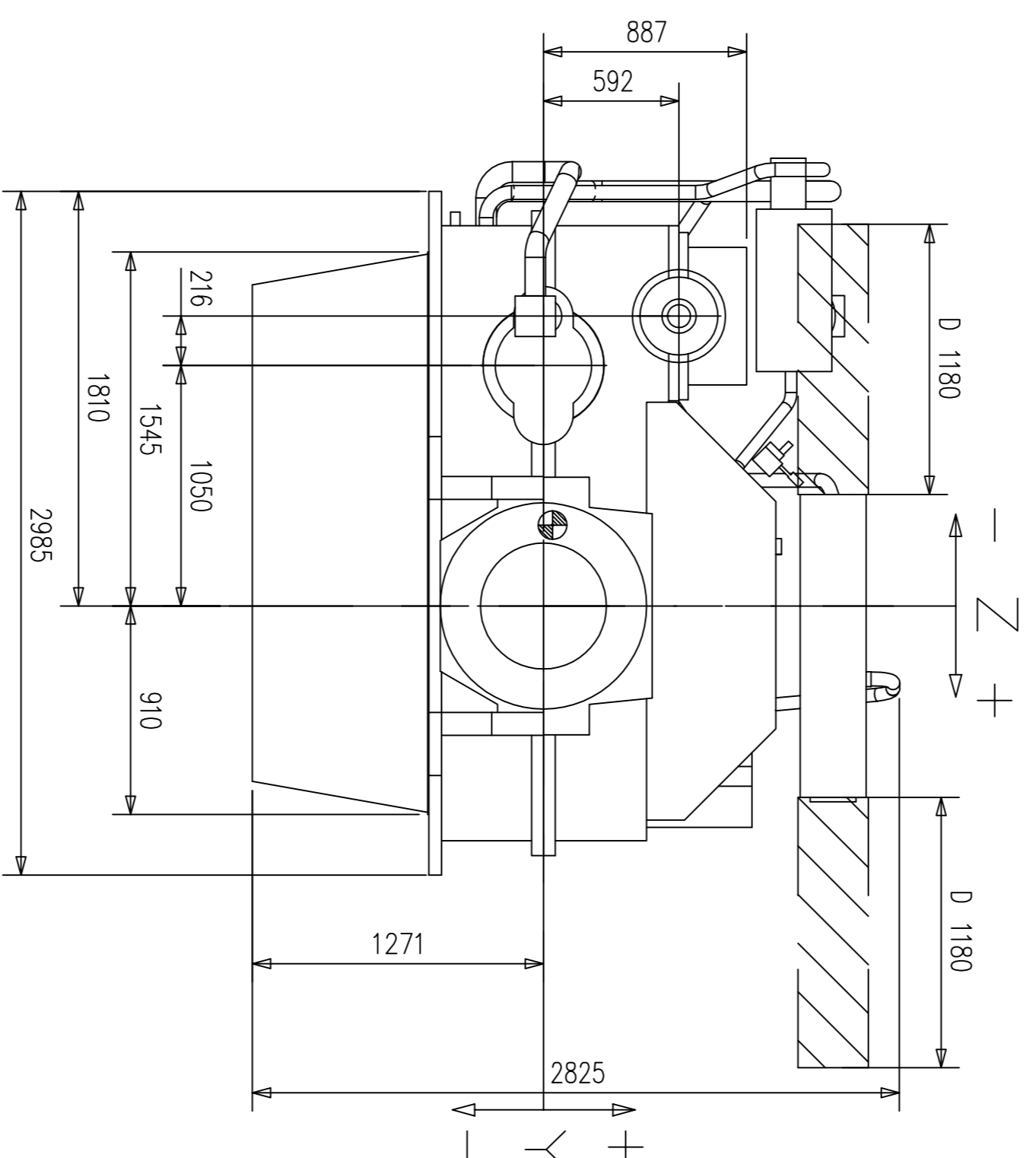
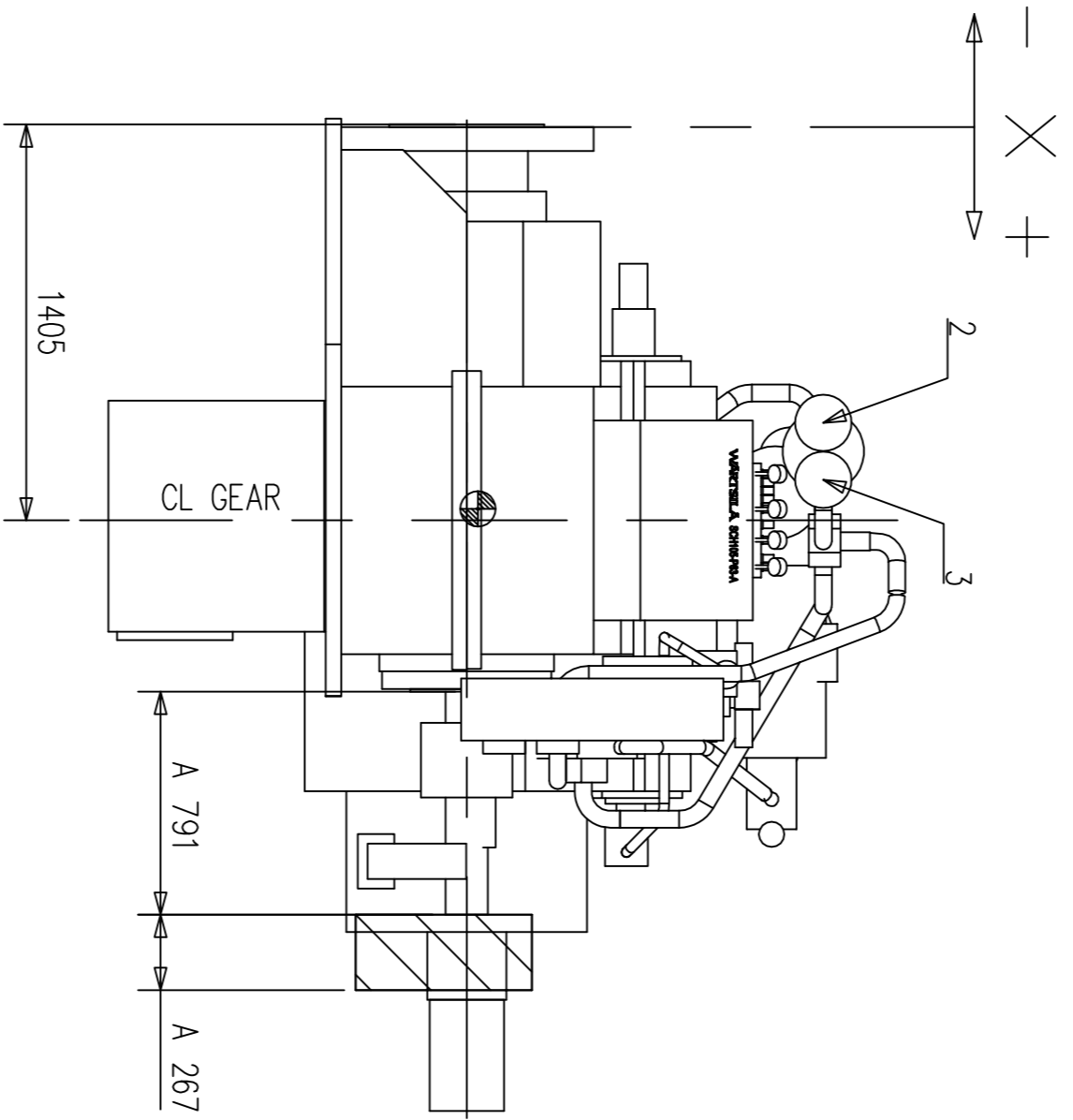


3	Cooling water out
2	Cooling water in
1	Connection for drain/filling
Pos.	Description

⊕ CENTER OF GRAVITY  
 DRY WEIGHT – APPX. 30000 kg

- A. Service space for Od box
- B. Service space for Gear cover top
- C. Service space for Anode Exchange
- D. Service space for cooler



Design/Rev	Provision	Scale	1:20
Date	State	Drawn by	
Appr.	Checked	Weight kg	

**WARTSILA**  
 SCH105-P63-A GEARBOX  
 OUTLINE AND SERVICE  
 SPACE  
 DAAL000635  
 Rev. A1 1/1